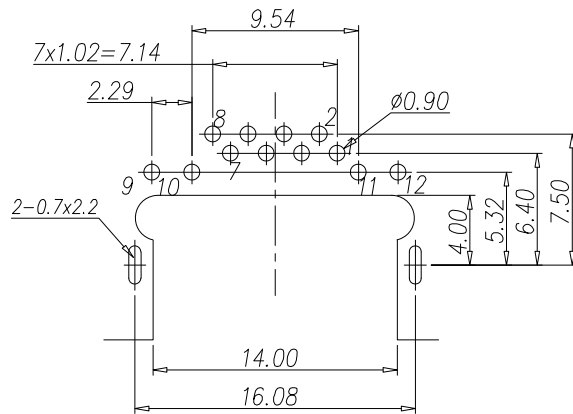
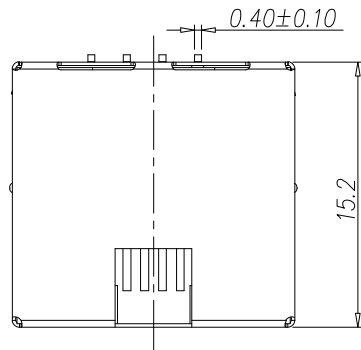
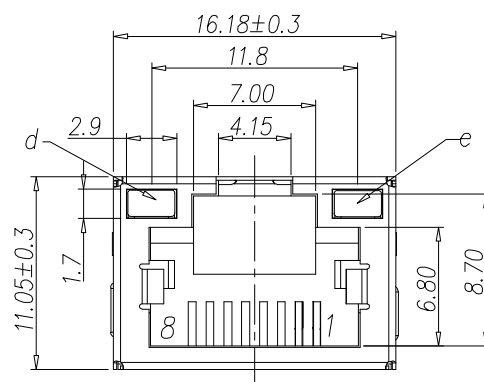


REV.	ECN.NO.	NAME	DATA
A0	N/A	Peter	2013-10-10

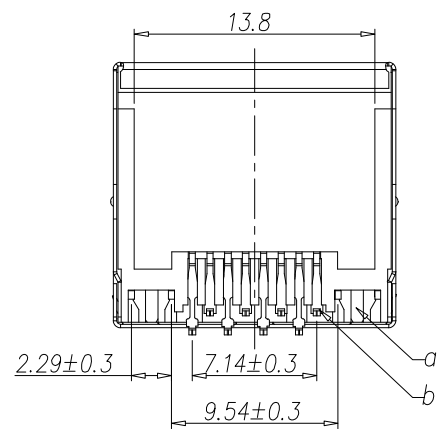
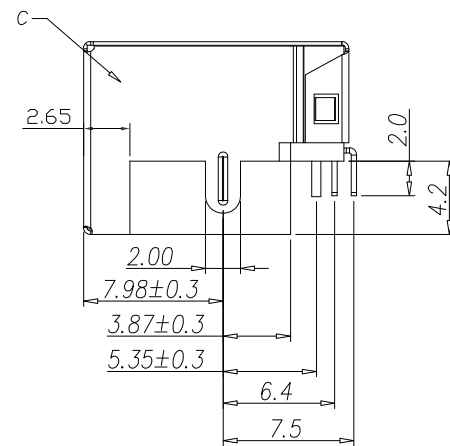


**Material**  
a.Housing:LCP UL 94V-0 Black  
b.Terminal:Phosphor Bronze  
T=0.3mm Au/Tin Plating  
c.Shielding:Brass  
d.LED  
e.Led



Recommend PCB Layout  
(Jack Top View)  
Tolerance: ±0.05mm

**SPECIFICATIONS:**  
1. RJ Electrical Characteristics  
1-1: Voltage: 150V AC RMS  
1-2: Current Rating: 1.5A  
1-3: Contact Resistance: 40mΩ MAX.  
1-4: Insulation Resistance: 500MΩ MIN.  
1-5: Dielectric Withstang Voltage :1000V AC  
1-6: Operature Temperature: -40°C~80°C



DETACHED LISTS	MM (INCH)	绘图: (Designed)	<b>Coorle 库乐科技</b>	
	公差: TOLERANCES	审核: (Checked)		
	MM	MM	RJ45 8P8CS DIP沉板式带灯 H=4.2	
	角度(ANGLES) ± 1.5°	材料: (Material)	图号(DWG NO.):	版本 REV. A0
第三角视图	比例: (SCALE)	SEE NOTES	料号(PART NO):	8
		1:1	单位(UNIT): MM	共(SHEET)1页 第(OF)1页